



# **SEPLoS MASON 280 (3.0)**

## **BATTERY PACK SPECIFICATION**

Please read this manual carefully before operating  
and retain it for future reference.

This manual introduces the MASON-280 51.2V 280Ah designed by SEPLoS Technology. Please read this manual before installation of the battery module and follow the instruction carefully during the assembly. Any confusion, please contact SEPLoS Technology immediately for advice and clarification.

## CONTENT

|  |    |
|--|----|
| 1. Safety Precautions .....                        | 1  |
| 1.1 Precautions .....                              | 1  |
| 1.2 Warning .....                                  | 1  |
| 2. Introduction .....                              | 3  |
| 2.1 Features .....                                 | 3  |
| 2.2 Specification .....                            | 5  |
| 2.3 Interfaces .....                               | 6  |
| 2.4 Cell Features .....                            | 9  |
| 2.4.1 Specifications .....                         | 9  |
| 2.5 Advanced Battery Management System (BMS) ..... | 10 |
| 2.5.1 BMS Functions .....                          | 10 |
| 2.5.2 Monitoring software .....                    | 11 |
| 2.5.3 Compatible Inverters .....                   | 12 |
| 3. Installation .....                              | 14 |
| 3.1 Application .....                              | 16 |
| 3.2 Battery pack wiring (Pack to pack) .....       | 16 |
| 4. List .....                                      | 16 |

## 1. Safety Precautions

This section describes the safety information that must be observed when working with battery packs. To prevent any damages, or personal injury, and to ensure the performance of the battery packs, please read this section carefully and observe the safety precautions at all times.

### 1.1 Precautions

- It is very important and necessary to read the user manual carefully before installing or using the product. Failure to do so or to follow any of the instructions or warnings in this document can result in electrical shock, serious injury or death, and could damage the battery, or potentially rendering it inoperable.
- If the battery pack is stored for long time, it is required to charge them every six months, and the SOC should be no less than 50%.
- Please recharged the battery pack within 12 hours, after fully discharged.
- All the battery pack terminals must be disconnected before any maintenance.
- Do not use cleaning solvents to clean battery pack.
- Do not expose battery pack to flammable or harsh chemicals, or corrosive gases or liquids.
- Do not paint any part of battery pack, include any internal or external components.
- Do not expose the battery pack to direct sunlight for extended periods of time.
- Do not connect battery pack with PV solar wiring directly.
- Do not insert any foreign object into any part of the battery pack.

### 1.2 Warning

- Do not touch the battery pack with wet hands.
- Do not crush, drop or puncture the battery pack.

- Always dispose of the battery pack according to local safety regulations.
- Store and recharge the battery pack in a manner in accordance with this user manual.
- Ensure reliable grounding.
- Do not reverse the polarity when installing.
- Do not short circuit the terminals, remove all jewelry items that could cause a short circuit before installation and handling.
- Disconnect battery from power or loads, and then power off battery before installation and maintenance.
- The battery packs should be not stacked more than specified numbers.
- Continued operation of a damaged battery pack can result in dangerous situation.

## 2. Introduction



SEPLoS MASON-280 51.2V 280Ah

MASON series is a professional storage battery pack solution specially designed for DIYers with high safety ratings and better performances. And MASON-280 is specifically designed to fit with EVE 3.2V 280Ah prismatic cells.

### 2.1 Features

- Suitable for EVE 3.2V 280Ah and SEPLoS 3.2V 280Ah LiFePO<sub>4</sub> prismatic cells.
- Battery cell is made from lithium iron phosphate (LiFePO<sub>4</sub>) with safety performance and longer cycle life.
- Specially designed plastic cell holder features fire proof and insulation. 8 cells in series composes a battery module, and two modules in series, then connected with BMS, composes a SEPLoS MASON battery pack.

- BMS has over-discharge, over-charge, over-current, high and low temperature warning and protection functions.
- BMS monitors the charge and discharge state, and balance the current and voltage of each cell.
- BMS comes with upper computer system for real-time cell and pack voltage, current, temperature, and battery status monitoring and recording.
- Flexible configuration, max. 16 packs can be connected in parallel for expanding capacity and power with 8 DIP switches.
- Pre-programmed with multi-protocols, SEPLOS MASON-280 51.2V 280Ah works with multi-brands of inverters. Check the communication inverter list.

## 2.2 Specification

| Basic Parameters                          | MASON-280                               |
|---|---|
| Nominal Voltage (V)                       | 51.2V                                   |
| Nominal Capacity (Ah)                     | 280Ah @0.5C discharge current<br>25±2°C |
| Nominal Power (Wh)                        | 14.3KWh                                 |
| Dimension (mm)                            | 750*440*251mm                           |
| Weight (Kg)                               | 112±5KG                                 |
| Discharge Cut-off Voltage (V)             | 41.6V                                   |
| Charge Voltage (V)                        | 57.6V                                   |
| Continuously Charge/Discharge Current (A) | 140A @25±2°C (Recommended)              |
| Max Standard charge/discharge Current (A) | 200A @25±2°C                            |
| Standard charge/discharge Current (A)     | 140A @25±2°C (Recommended)              |
| Max Standard charge/discharge Current (A) | 200A @25±2°C                            |
| Working Temperature                       | 0~50°C (Charge)                         |
|   | -10~50°C (Discharge)                    |
|   | -20~55°C (Storage)                      |
| SOC Range                                 | 5%-100%                                 |
| Recommended SOC Range                     | 15-95%                                  |
| Communication Interface                   | CAN /RS485                              |
| Humidity                                  | 10% - 85%                               |
| IP level                                  | IP 20                                   |

## 2.3 Interfaces



### RESET

Reset button: to start the battery pack, hold the button for 2s to turn on battery pack.

### RS485

RS485 communication interface: RJ45 port, follow RS485 protocol. For transmitting battery pack information between paralleled packs. The first 4 DIP switches (#1, #2, #3, #4) are used for identifying packs' information on software.

### CAN

CAN 5 communication interface: follow CAN BUS protocol, for output pack information to inverter. One pack should be assigned as master pack. And the last 4 DIP switches (#5, #6, #7, #8) to tell how many slave packs are followed. The first DIP switches are used for identifying slave packs.

### ADS

Spare part, automatic dialing has been realized.

### ALARM



ALARM light: red LED flash to show the battery alarm status. And red light to show the battery in protection status of abnormal temperature, over-current, or short-circuit.

**RUN**

Working light: green LED to show the battery working status.

Details as follows:

| Battery status | Operating Mode                                      | RUN          | ALM          | LED Light                       |     |     |     | Remark                   |
|----------------|---|--------------|--------------|---------------------------------|-----|-----|-----|--------------------------|
|                |   | ●            | ●            | ●                               | ●   | ●   | ●   |                          |
| Power off      | Standby   | OFF          | OFF          | OFF                             | OFF | OFF | OFF | OFF                      |
| Standby        | Normal  | Solid Green  | OFF          | According to battery SOC status |     |     |     | Standby mode             |
| Charge Mode    | Normal  | Solid Green  | OFF          | According to battery SOC status |     |     |     |                          |
|                | Over current warnings                               | Solid Green  | Blink type 2 | According to battery SOC status |     |     |     |                          |
|                | Over voltage protection                             | Blink type 1 | OFF          | OFF                             | OFF | OFF | OFF |                          |
|                | Temperature, over current protection                | Blink type 2 | OFF          | OFF                             | OFF | OFF | OFF |                          |
| Discharge Mode | Normal  | Blink type 3 | OFF          | According to battery SOC status |     |     |     |                          |
|                | Warning   | Blink type 3 | Blink type 3 | According to battery SOC status |     |     |     |                          |
|                | Over current, temperature, short-circuit protection | OFF          | Solid Red    | OFF                             | OFF | OFF | OFF | Termination of discharge |
|                | Under voltage protection                            | OFF          | OFF          | OFF                             | OFF | OFF | OFF | Termination of discharge |

**CAPACITY**

SOC light: 4 green LED lights to show the capacity status of battery pack. Each LED represents 25%

the capacity.

| Status              | Charge      |             |             |             | Discharge   |             |             |             |
|---------------------|-------------|-------------|-------------|-------------|-------------|-------------|-------------|-------------|
| Capacity indicator  | ● L4        | ● L3        | ● L2        | ● L1        | ● L4        | ● L3        | ● L2        | ● L1        |
| 0-25%               | OFF         | OFF         | OFF         | Blink       | OFF         | OFF         | OFF         | Solid Green |
| 25%-50%             | OFF         | OFF         | Blink       | Solid Green | OFF         | OFF         | Solid Green | Solid Green |
| 50%-75%             | OFF         | Blink       | Solid Green | Solid Green | OFF         | Solid Green | Solid Green | Solid Green |
| >75%                | Blink       | Solid Green | Solid Green | Solid Green | Solid Green | Solid Green | Solid Green | Solid Green |
| Operating indicator | Solid Green |             |             |             | Blink       |             |             |             |

**P+/P-**

Power terminals: two pairs of power terminals with the same function, one connect to equipment, and the other one parallel to other battery pack for capacity expanding. For a single pack, both terminals can achieve charging and discharging functions.

Power cable uses 8.0mm power plug with lock button. And can be full rotation.



## 2.4 Cell Features

### 2.4.1 Specifications

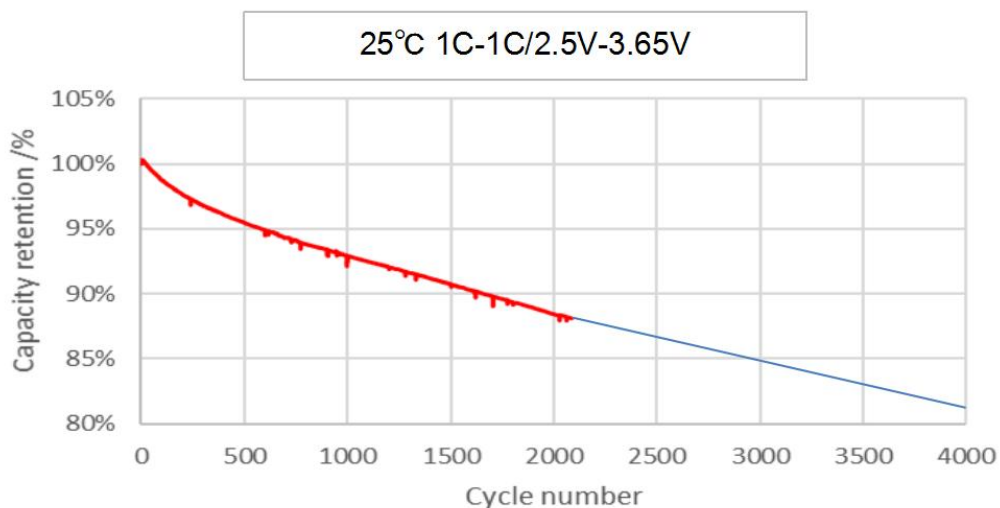
SEPLOS 3.2V 100Ah lithium iron phosphate (LiFePO4) aluminum case prismatic rechargeable battery cell.

|                                    |                |
|------------------------------------|----------------|
| Nominal Voltage                    | 3.2V           |
| Nominal Capacity                   | 280Ah          |
| Weight                             | ≤5.5Kg         |
| Self-discharge Rate                | 3.0% per month |
| Initial Internal Resistance (1KHz) | ≤0.23mΩ        |

Refer to the cell specification for more detailed information.

SEPLOS Technology applies high quality Grade A cells inside the battery box. And did the following designs to prolong the battery pack cycle life.

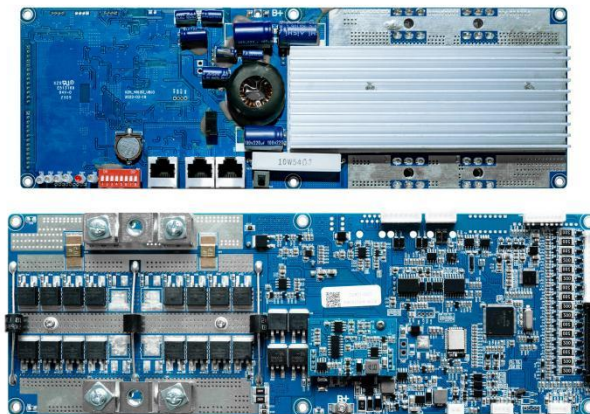
- Judging by the current testing report below, if the battery pack charging and discharging at 0.5C, the battery pack could reach a cycle life of 6000 times or more at the remaining capacity of 80% capacity state at 25°C room temperature, 100%DOD.



- The real capacity of each single cell is 285Ah.

## 2.5 Advanced Battery Management System (BMS)

The BMS is applied to monitor current, voltage, temperature, protection against over-charge, over-discharge, over-current, over-temperature, under-temperature and short circuit. The BMS provides cell balancing and current limitation during charging process to ensure a reliable safety and performance.



Refer to the BMS specification for the detailed information

### 2.5.1 BMS Functions

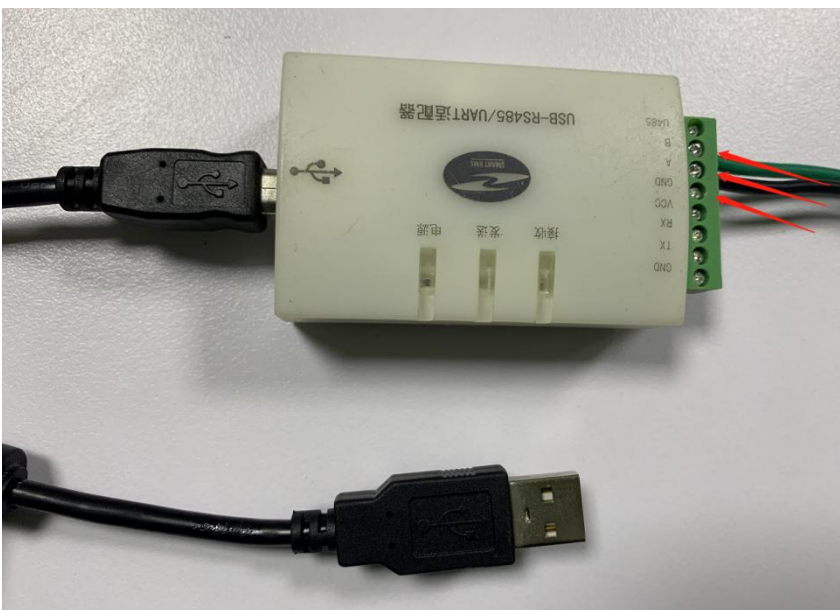
- Over charge protection
- Over discharge protection
- Over current protection
- Cell balancing
- Temperature protection
- CAN and RS485 communication
- Bluetooth function

### 2.5.2 Monitoring software

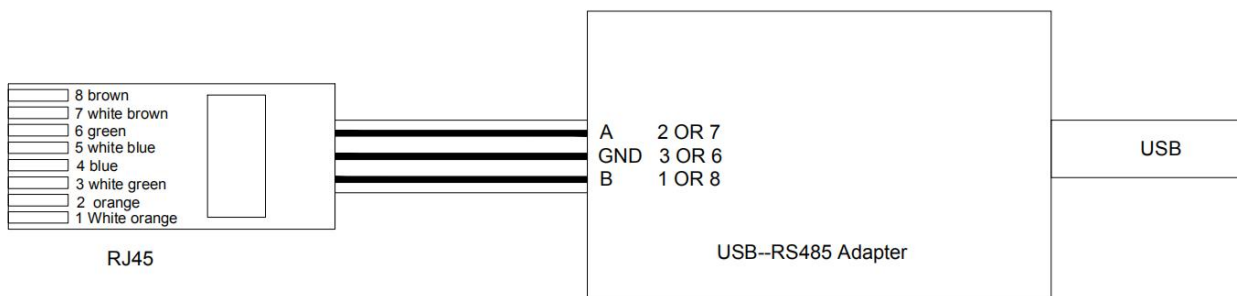
Battery pack can be remotely monitored with SEPOS BATTERYMONITOR software. With this software, battery voltage, cell voltage of single cell and pack, SOC status, cell temperature, voltage differences can be monitoring in real time. Through history record, battery status can be checked afterwards.

First, connect MASON to the master computer with USB-RS485 adapter.

If the adapter needs wiring, follow the wiring diagram.



**RJ45**



**Wiring Diagram**

Note: Download the software installation file at Google drive with this link:

<https://drive.google.com/drive/folders/10pxgNLHovcDZRVGrCZsSkfecBrRw-AdW?usp=sharing>

### 2.5.3 Compatible Inverters

SEPLOS MASON Battery pre-programmed with multiple CAN protocols to compatible with multi-brands of inverters. To make sure that the battery module works perfectly, it would be better to use the compatible inverters listed below.

Note: Different models of inverters may comes with different protocols and designing even for the same brand. For some models, a firmware updating is required for perfect communication.

#### **Pre-programmed CAN Protocol list:**

- Goodwe-V1.5
- Pylon-V1.3
- Growatt-V1.05
- Victron CANBUS\_PROTOCOL
- LUXPOWER\_CAN Protocol
- Sofar\_REV5
- SMA\_EN\_10

#### **Communicate inverters list (CAN Protocol):**

- ✓ Goodwe (Choose custom mode, and the BMS choose default protocol)
- ✓ Growatt (Growatt inverter comes with both CAN and RS485 protocol models. Please confirm before purchase.) (Choose "Li" "CAN" "L51" / "Li" "485" "L01" )
- ✓ Victron (BMS choose victron)
- ✓ Voltronic (Voltronic inverter comes with RS485 protocol only. Please confirm with your sales representative before purchase.) (BMS choose Default protocol. )
- ✓ Phocos (Phocos inverter comes with RS485 protocol only. Please confirm with your sales representative before purchase.)

- ✓ LUXPOWER
- ✓ Sofar (Choose custom mode, and the BMS choose SOFAR protocol)
- ✓ DEYE (Choose default, and the BMS choose default protocol)
- ✓ Sermatec
- ✓ RENAC
- ✓ TBB POWER
- ✓ SOLIS (Choose US2000B, and the BMS choose default protocol)
- ✓ SMA
- ✓ FoxESS
- ✓ IMEON (Choose Dyness /BMS choose Luxpower)

#### Inverter Settings:

Battery information would be synchronized to the inverter through CAN communication. If the inverter do not support CAN communication, the following parameters need to be modified before connecting with battery system.

#### Charging Settings:

| Parameter          | Setting |
|--------------------|---------|
| Battery type       | Lithium |
| Charge curve       | Fixed   |
| Absorption voltage | 57.6V   |
| Float voltage      | 55V     |
| Absorption time    | 1Hr     |

**Note:**

1. Make sure to double check the float voltage after completing Assistants, and if necessary set it back to 55.0V.
2. For off-grid use: ignore the 'BMS assistant required' warning.

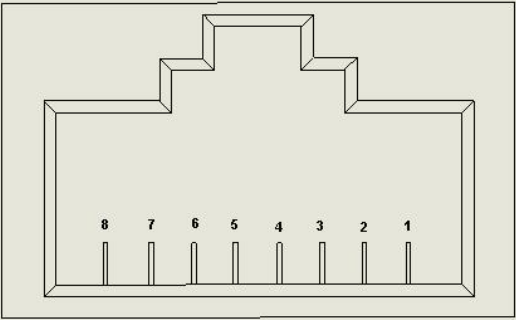
**Inverter Settings**

| Parameter               | Setting |
|-------------------------|---------|
| DC input low shut-down  | 43V     |
| DC input low restart    | 47V     |
| DC input low pre-alarm* | 47V     |

**Definition of communication interface**

Define the corresponding BMS communication interface of different brands of inverters ; The definition of the special inverter communication port is inconsistent with the definition of the BMS communication port, customized network cable , If you use a regular network cable, the BMS may automatically turn on or fail to turn off ; before use, it should be determined whether the definition of the communication interface is consistent.

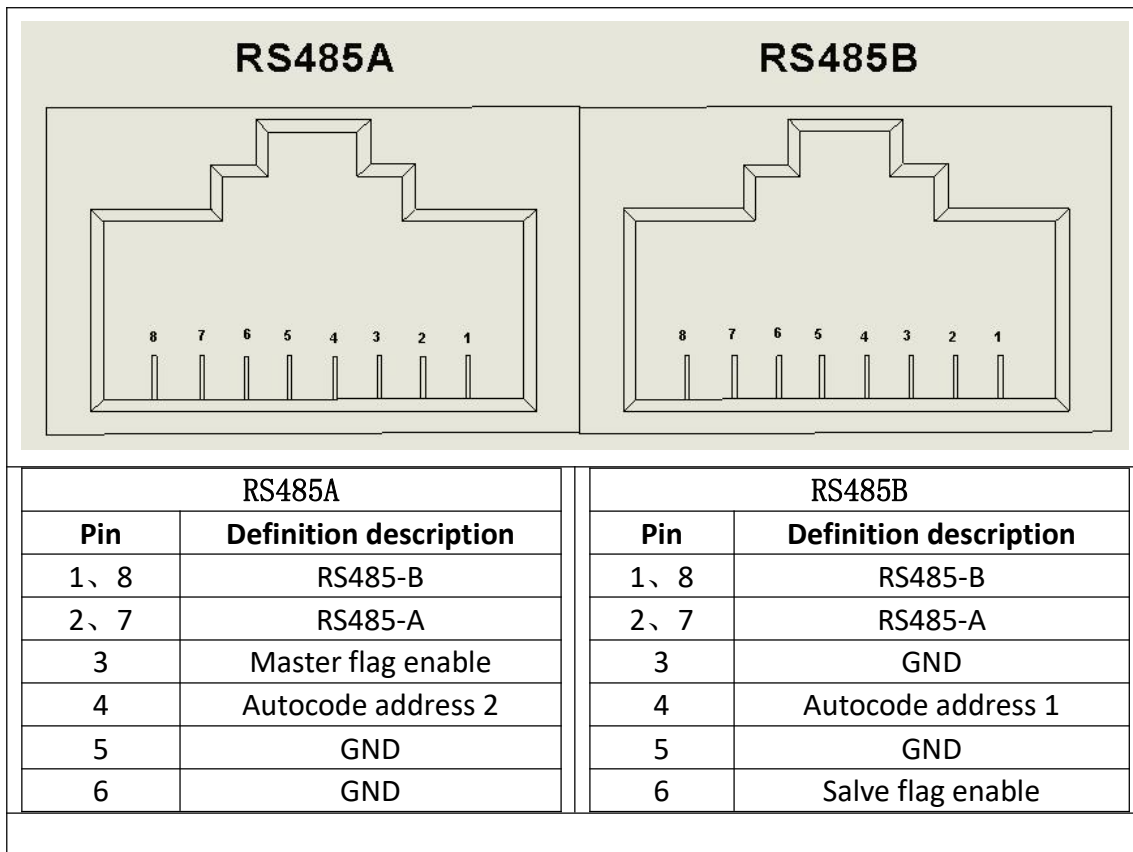
| CAN/RS485 |                        |
|-----------|------------------------|
| Pin       | Definition description |
| 1、 8      | RS485-B                |
| 2、 7      | RS485-A                |
| 4         | CAN-H                  |
| 5         | CAN-L                  |
| 3、 6      | GND                    |



① Internal communication

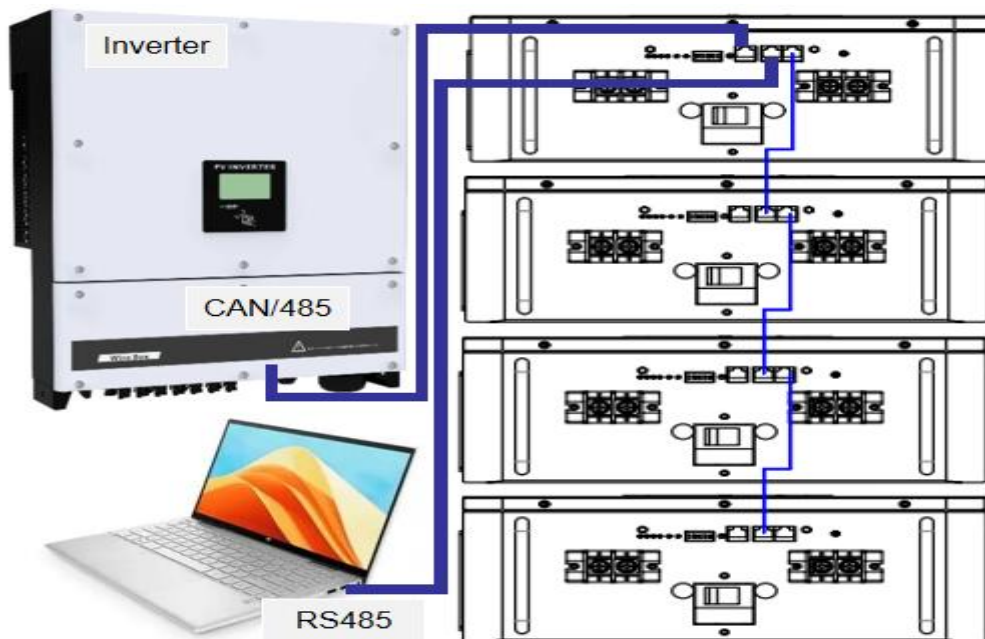
Select the corresponding port for BMS internal communication、 Baud rate selection 19200





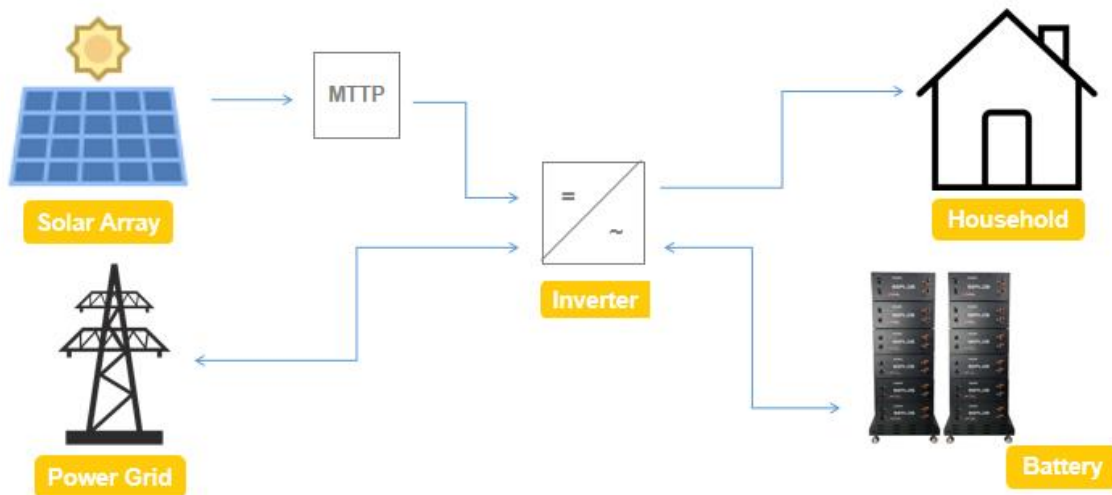
② Parallel communication

BMS has the function of automatically assigning addresses, there is no need to dial the code (The reserved dial switch on the BMS is not turned on) and a regular network cable can be used when paralleling the machine.



### 3. Installation

#### 3.1 Application



#### 3.2 Battery pack wiring (Pack to pack)

- Stack the battery packs onto the base. (Maximum 4 packs can be stacked.)
- Connect cables between packs.
- Connect cable with inverter.

### 4. List

- 1 \* Battery Case (Bottom case, Front Panel, Top Bracket, Front Bracket, Top cover)
- 1 \* 48V 200A 16S SEPLOS BMS
- 1 \* 58V 400A Fuse
- 4 \* Handle
- 2 \* PCB Board for BMS and Cell Connection
- 3 \* Upper and Lower Latch lock
- 1 \* LCD Screen
- 1 \* LCD Screen Sticker
- 4 \* Button Cap
- 3 \* Wires (LCD Screen wire, PCB board A and PCB board Connector)
- 2 \* Battery Terminals (P+ Terminal and P- Terminal)

Other components includes:

- 6 \* Copper bus bars (BMS connection)
- 15 \* Aluminum bus bars (Cell connection)
- 10 \* Epoxy sheet (Between cell and the case)
- 26 \* EVA Tape (Between cells)
- 1 \* PC sheet (Top cover)

Screws Details:

- 12 \* Phillip Hex M4 \* 8mm (PCB board fix)
- 9 \* Phillip Hex M5 \* 8mm + Washer + Spring Set(Ground cable and top bracket fix)
- 7 \* Phillip Hex M6 \* 25mm + Washer + Spring Set(Front Panel fix)
- 10 \* Phillip Round M3 \* 8mm + Washer + Spring Set(BMS and LCD Screen fix)
- 12 \* Phillip Pan M5 \* 10mm (Latch fix)
- 16 \* Hexagan Socket Pan M4 \* 10mm (P+/P- Terminals fix)
- 42 \* Hexagan Socket Countersunk M4 \* 10mm (Handle and battery case)
- 4 \* Phillip Hex M6 \* 14mm + Washer + Spring Set(foot fix)
- 5 \* Phillip Hex M8 \* 10mm + Washer + Spring Set (P+/P- Bus bar fix)
- 8 \* Phillip Round M5 \* 10mm + Washe



**SEPLoS**  
*Trust for Trust*

Scan the QR code to get connected with Seplos Technology



SEPLoS ON



SEPLoS WHATSAPP

This document is subject to change without notice.

©2022 SEPLoS Technology

Room 301, Building 6, No. 179 Kangyi Road, Qingxi Town, Dongguan, Guangdong, China

TEL: (86) 13286686628

E-mail: info@seplos.com

<http://www.seplos.com>